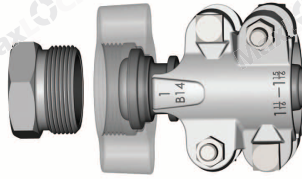




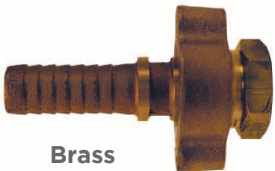



MaxLOCK® GROUND JOINT



Features:

- Positive metal-to-polymer seal
- Leakproof seal forms when the metal head of the stem makes contact with the patented polymer seat in the spud
- Non-metallic polymer seat resists most chemicals found in manufacturing facilities
- Recommended for steam service up to **450°F (232°C)**
- Easy to seal
- Use with Maxlock® clamps

MAXLOCK GROUND JOINT COUPLING with FEMALE SPUD (MG-JC)	SIZE	OPTIONAL QTY
 Plated Iron / Steel	1/4"	100
	3/8"	100
	1/2"	100
	1/2" x 3/4"	50
	3/4"	50
 316 Stainless Steel	1"	50
	1 1/4"	25
	1 1/2"	25
 Brass	2"	10
	2 1/2"	5
	3"	5
	4"	5
	6"	2


 * 1/4" 3/8" and 6" available only with copper seat spuds
 ** not to be used with #250, #275 or #306 Maxlock® clamps

PART NUMBER



MODEL	PART NO.	MATERIAL	COUPLING SIZE
MG Maxlock Ground Joint	JS	PS	8 = 1/4"
	JC	Plated Steel	10 = 3/8"
	WN	SS	15 = 1/2"
	FS	Stainless Steel 316	20 = 3/4"
	MP		25 = 1"
	DS	BR	32 = 1-1/4"
	FA	Brass	40 = 1-1/2"
	MA		50 = 2"
	MS		65 = 2-1/2"
			100 = 4"
			150 = 6"